

# Device Modeling Report

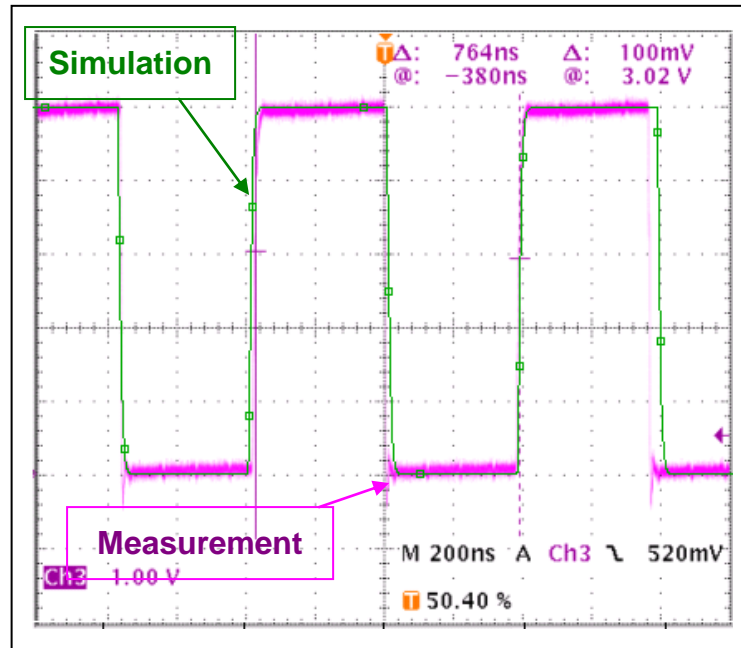
COMPONENTS: Crystal Oscillators  
PART NUMBER: DOC-49S3/C1.308MHz  
MANUFACTURER: Daishinku Corp.



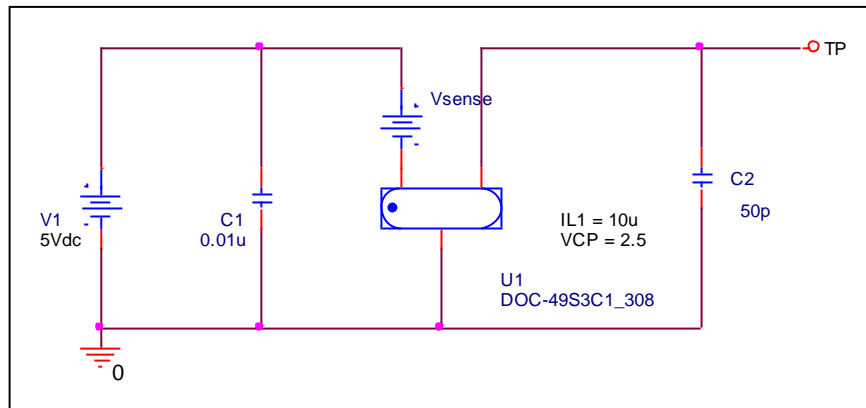
**Bee Technologies Inc.**

# Output Wave Form Characteristics

## Simulation result



## Simulation Circuit



## Simulation Result

	Measurement (ns)	Simulation (ns)	Error (%)
Tr	14.8	15.4	4.1
TH	379.0	383.0	1.1
Tf	13.6	14.0	3.0
TL	385.0	382.6	-0.6